

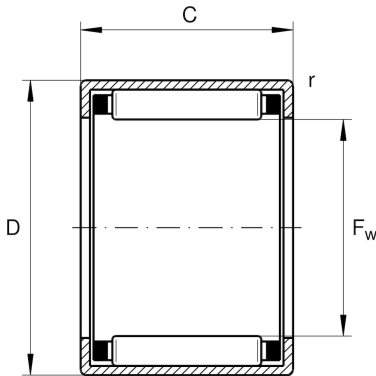
HK1012-AS1-B

Drawn cup needle roller bearing open end

Schaeffler ID:
0011977540000

Drawn cup needle roller bearing open end
HK...AS1-B, single row, with cage

Technical information



Main Dimensions & Performance Data

F_w	10 mm	Under roller diameter
D	14 mm	Outside diameter
C	12 mm	Width
C_r	5.500 N	Basic dynamic load rating, radial
C_{0r}	6.800 N	Basic static load rating, radial
C_{ur}	950 N	Fatigue load limit, radial
n_G	24.300 1/min	Limiting speed
$n_{G \text{ Grease}}$	14.600 1/min	Limiting speed for grease lubrication
n_{gr}	18.400 1/min	Reference speed
	4,558 g	Weight

Dimensions

C_1	12 mm	Width, outer ring
r_{\min}	0,4 mm	Minimum chamfer dimension

Temperature range

T_{\min}	-30 °C	Operating temperature min.
T_{\max}	140 °C	Operating temperature max.

Additional information

	GR10X14X3	Sealing ring
	G10X14X3	Sealing ring 2
	IR7X10X12-XL	Suitable inner rings IR